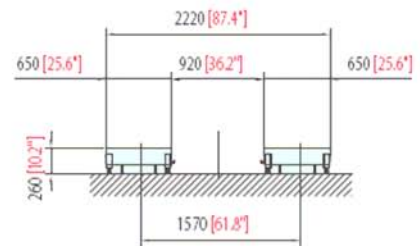
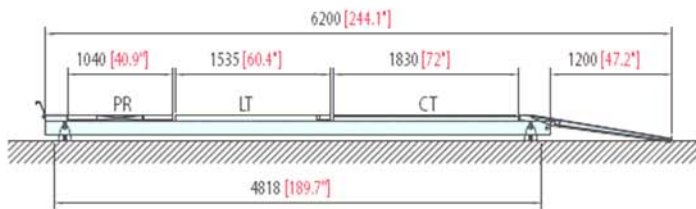
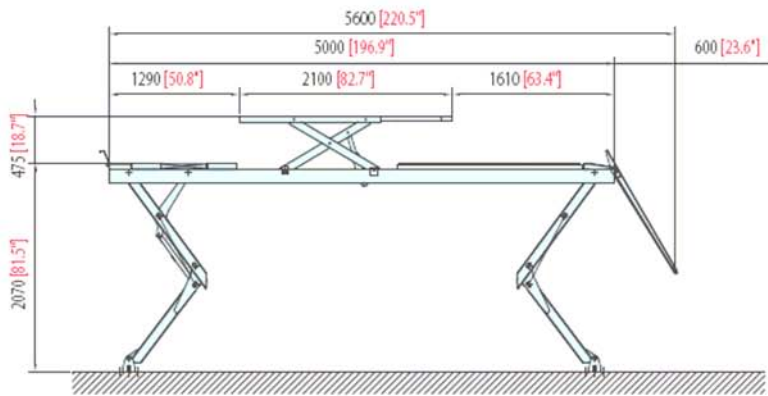


## KAR 45 L=5000 (CT/LT 4.500 kg - 10.000 lbs)



## KAR 45 (i) L=5000 (CT/LT 4.500 kg - 10.000 lbs)

